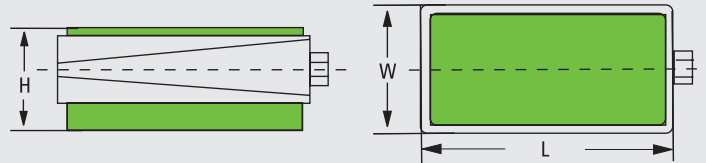


Precision Leveling Wedge



Krauss Maffei injection molding machine on precision wedge mounts



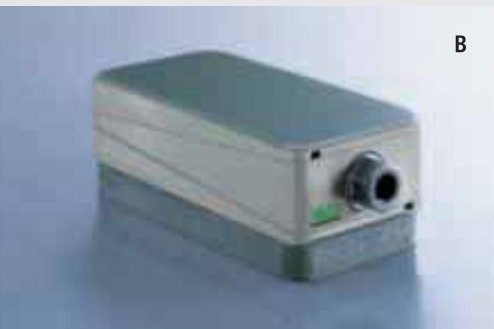
A

range of application
Component Set A

Top:
anti skid plate BR 7-1
Bottom:
Insulating plate B 4-1

General tool and graphic machines, in particular machines with horizontal components.
High anti-slip protection!

type	load daN/pc.	length L mm	width W mm	height H in intermediate pos. mm	range of adjustment mm
PK 1-A	540	105	55	59	8
PK 2-A	1000	150	75	63	10
PK 3-A	1800	200	95	67	10
PK 3/72-A	1800	200	95	94	10
PK 4-A	3800	200	200	70	12
PK 4/72-A	3800	200	200	94	12
PK 5-A	4800	200	250	94	18
PK 6-A	8100	250	330	94	18
PK 7-A	11800	300	400	94	20
PK 8-A	19700	400	500	97	20
PK 9-A	29600	500	600	127	22



B

range of application
Component Set B

Top:
anti skid plate BS
Bottom:
Insulating plate BO

Special design for CNC lathes, surfaces and cylindrical grinders, drilling and milling machines, machining centers, transfer lines.

type	load daN/pc.	length L mm	width W mm	height H in intermediate pos. mm	range of adjustment mm
PK 1-B	650	105	55	54	8
PK 2-B	1300	150	75	58	10
PK 3-B	2200	200	95	63	10
PK 3/72-B	2200	200	95	89	10
PK 4-B	4700	200	200	66	12
PK 4/72-B	4700	200	200	89	12
PK 5-B	5800	200	250	89	18
PK 6-B	9700	250	330	89	18
PK 7-B	14200	300	400	89	20
PK 8-B	23600	400	500	92	20
PK 9-B	35500	500	600	122	22



C

range of application
Component Set C

Top:
anti skid plate BS
Bottom:
Insulating plate B 32

For highly effective insulations in the active and passive range.
In particular when used on upper floors. Please ask for our advice, without obligation, regarding any critical situation.

type	load daN/pc.	length L mm	width W mm	height H in intermediate pos. mm	range of adjustment mm
PK 1-C	450	105	55	64	8
PK 2-C	870	150	75	68	10
PK 3-C	1500	200	95	73	10
PK 3/72-C	1500	200	95	99	10
PK 4-C	3100	200	200	76	12
PK 4/72-C	3100	200	200	99	12
PK 5-C	3900	200	250	99	18
PK 6-C	6500	250	330	99	18
PK 7-C	9500	300	400	99	20
PK 8-C	15700	400	500	102	20
PK 9-C	23700	500	600	132	22

for vibration and structure-borne noise isolation

○ Precision Leveling Wedge

BILZ Precision Leveling Wedge PK are manufactured in three different types; free standing (PK Series), bolt-on to the machine (PKA Series), bolt-through to the foundation (PKD Series). The design permits the highest precision leveling range of 1/100 mm. Creep from their preset position is prevented by the self-locking design. Large support surfaces provide optimum foundation support and rigidity. Any of the BILZ Isolation materials can be bonded to the leveling wedge to provide the required isolation.

○ Precision Wedge Mounts, Series PK, free-standing

BILZ Precision Leveling Wedge PK are used where a firm mounting with the machine is not required. The high coefficient of friction of the isolation materials and anti-skid plates keep the machine in place.

Wrench sizes A/F for BILZ PKs

type	inside	outside	type	inside	outside
PK 1	SW 6	SW 13	PKA/PKD 1	SW 10	SW 19
PK 2	SW 10	SW 19	PKA/PKD 2	SW 12	SW 22
PK 3	SW 12	SW 22	PKA/PKD 3	SW 12	SW 22
PK 4	SW 12	SW 22	PKA/PKD 4	SW 14	SW 27
PK 5	SW 14	SW 27	PKA/PKD 5	SW 14	SW 27
PK 6	SW 14	SW 27	PKA/PKD 6	SW 17	SW 32
PK 7	SW 17	SW 32	PKA/PKD 7	SW 19	SW 41
PK 8	SW 19	SW 41	PKA/PKD 8	SW 22	SW 50
PK 9	SW 22	SW 50			

Notice: We are always pleased to fulfill special requests!



D

range of application
Component Set D

Top:
anti skid plate BR 7-1
Bottom:
Insulating plate B 5

For machines with extremely high dynamic forces such as presses, stamping machines, shears etc.

type	load daN/pc.	length L mm	width W mm	height H in intermediate pos. mm	range of adjustment mm
PK 1-D	870	105	55	67	8
PK 2-D	1700	150	75	71	10
PK 3-D	2900	200	95	76	10
PK 3/72-D	2900	200	95	104	10
PK 4-D	6200	200	200	79	12
PK 4/72-D	6200	200	200	104	12
PK 5-D	7500	200	250	104	18
PK 6-D	12900	250	330	104	18
PK 7-D	18900	300	400	104	20
PK 8-D	31500	400	500	107	20
PK 9-D	47000	500	600	137	22



E

range of application
Component Set E

Top:
anti skid plate BS
Bottom:
Insulating plate BS

For all machines and systems requiring no vibration insulation. Ideally suited for assembly.

Good stability due to non-slip character of plates extremely low construction!

type	load daN/pc.	length L mm	width W mm	height H in intermediate pos. mm	range of adjustment mm
PK 1-E	1600	105	55	41	8
PK 2-E	3300	150	75	45	10
PK 3-E	5500	200	95	49	10
PK 3/72-E	5500	200	95	76	10
PK 4-E	11700	200	200	52	12
PK 4/72-E	11700	200	200	76	12
PK 5-E	14500	200	250	76	18
PK 6-E	24000	250	330	76	18
PK 7-E	35500	300	400	76	20
PK 8-E	59000	400	500	79	20
PK 9-E	88500	500	600	109	22



F

range of application
Component Set F

Top:
anti skid plate BS
Bottom:
Insulating plate B 6

For extremely high loadability.

Very high level constancy.

type	load daN/pc.	length L mm	width W mm	height H in intermediate pos. mm	range of adjustment mm
PK 1-F	2100	105	55	54	8
PK 2-F	4300	150	75	58	10
PK 3-F	7000	200	95	63	10
PK 3/72-F	7000	200	95	89	10
PK 4-F	15000	200	200	66	12
PK 4/72-F	15000	200	200	89	12
PK 5-F	19000	200	250	89	18
PK 6-F	31000	250	330	89	18
PK 7-F	45000	300	400	89	20
PK 8-F	75000	400	500	92	20
PK 9-F	115000	500	600	122	22



PKA / PKD

PKAK / PKDK
with spherical seating



Gildemeister NEF 330
on precision leveling wedge mounts

○ Precision Leveling Wedge Mounts, Series PKA (bolt-on)

BILZ precision leveling wedge PKA are used where a firm mounting with the machine is required. Preferably on machines with a high axial thrust such as die-casting machines, injection machines, shock testing machines, and cold extrusion presses etc.

Notice: We are always pleased to fulfill special requests!

PKA 1-0 up to PKA 8-0

Range of application: lathes, horizontal drilling machines, surface and cylindrical grinders, machining centers

Equipment:

Bottom: **insulating plate BO**

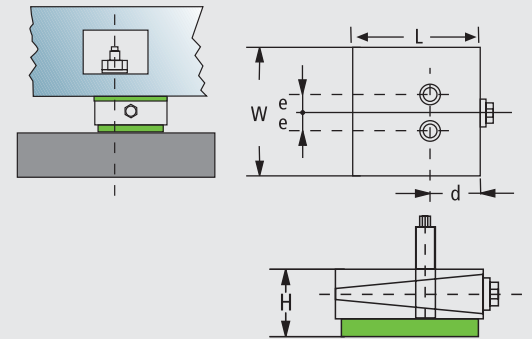
PKA 1-4 up to PKA 8-4

Range of application: Plastic extrusion machines, pressure diecasting machines, planers, shock testing machines, cold extrusion presses etc.

Equipment:

Bottom: **insulating plate B 4-1**

Very good anti-slip properties.



Screws can be supplied upon request (page 15).

type	load daN/pc.	length L mm	width W mm	width W mm	height H in intermediate position mm	d mm	e mm	e mm	inside thread	range of adjustment mm
PKA 1-0	1500	115	115	60	50	24	M 16	8		
PKA 2-0	2500	150	150	63	60	23	M 18	10		
PKA 3-0	4700	200	200	63	75	27	M 20	12		
PKA 3/72-0	4700	200	200	87	75	27	M 20	12		
PKA 4-0	5800	200	250	88	95	27	M 20	18		
PKA 5-0	9700	250	330	88	125	105	M 24	18		
PKA 6-0	14200	300	400	90	150	95	M 24	20		
PKA 7-0	23600	400	500	90	200	130	M 24	20		
PKA 8-0	35500	500	600	120	255	150	M 30	22		
PKA 1-4	1200	115	115	60	50	24	M 16	8		
PKA 2-4	2100	150	150	63	60	23	M 18	10		
PKA 3-4	3800	200	200	63	75	27	M 20	12		
PKA 3/72-4	3800	200	200	87	75	27	M 20	12		
PKA 4-4	4800	200	250	88	95	27	M 20	18		
PKA 5-4	8100	250	330	88	125	105	M 24	18		
PKA 6-4	11800	300	400	90	150	95	M 24	20		
PKA 7-4	19700	400	500	90	200	130	M 24	20		
PKA 8-4	29600	500	600	120	255	150	M 30	22		

○ Screw-on base plate for PKA / PKAK precision leveling wedges



BILZ base plates provide a simple method for anchoring the machine to the ground. Base plates are attached to the precision leveling wedges with four countersunk-head screws. The base plates can be attached in three different mounting positions to fit different installation requirements.

More information on request!

○ Precision Wedge Mounts, Series PKD

(bolt-through)

BILZ precision leveling wedge PKD are used for machines which need to be fixed to a foundation, due their unfavourable stability. Also for machines which must be "squeezed" or "pulled" when being aligned – e.g. for machines with little natural rigidity!

PKD 1-0 bis PKD 8-0

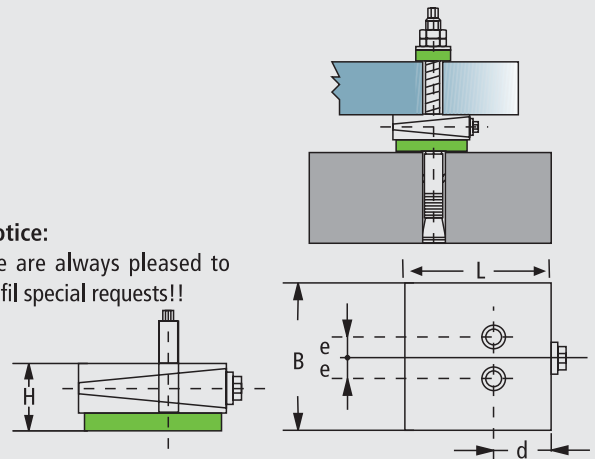
Range of application: drilling and milling machines, machining centers, special machines, long lathes, long planers

Bottom: **Insulating plate BO**

Screws, nuts and anchors can be supplied upon request (page 15).

Notice:

We are always pleased to fulfill special requests!!



type	PKD 1-0	PKD 2-0	PKD 3-0	PKD 3/72-0	PKD 4-0	PKD 5-0	PKD 6-0	PKD 7-0	PKD 8-0	load daN/pc.	length L mm	width W mm	height H in intermediate pos. mm	d mm	e mm	bore Ø	range of adjustment mm
										1500	150	115	60	50	24	22	8
										2500	150	150	63	60	23	22	10
										4700	200	200	63	80	27	26	12
										4700	200	200	87	75	27	26	12
										5800	200	250	88	95	27	26	18
										9700	250	330	88	125	105	26	18
										14200	300	400	90	150	95	30	20
										23600	400	500	90	200	130	35	20
										35500	500	600	120	255	150	35	22

○ With spherical seating PKAK / PKDK

Precision Wedge Mounts, Series PKAK (bolt-on)

Series PKDK (bolt-through)

BILZ precision leveling wedge PKAK / PKDK are used to compensate angular differences between machines and foundations. Especially for machines with a long bed and high demands in alignment.

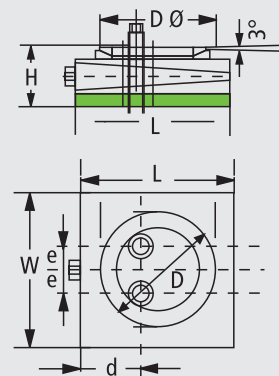
PKDK 1-0 bis PKDK 4-0

Range of application: drilling and milling machines, machining centers, special machines, long lathes, long planers

Bottom: **Insulating plate BO**

Notice:

We are always pleased to fulfill special requests!!



type	PKAK 1-0	PKAK 2-0	PKAK 3-0	PKAK 4-0	PKDK 1-0	PKDK 2-0	PKDK 3-0	PKDK 4-0	load daN/pc.	length L mm	width W mm	height H in intermediate pos. mm	D mm	d mm	e mm	bore / threaded Ø	range of adjustment mm
									1500	115	115	70	110	50	24	M 16	8
									2500	150	150	78	150	60	23	M 18	10
									4700	200	200	79	150	80	27	M 20	12
									5800	200	250	104	150	95	27	M 20	18
									1500	115	115	70	110	50	24	22	8
									2500	150	150	78	150	60	23	22	10
									4700	200	200	79	150	75	27	26	12
									5800	200	250	104	150	95	27	26	18

○ Precision wedge mounts PKAE

In stainless steel

Notice:

We are always pleased to fulfill special requests!!



type	PKAE 1-0	PKAE 2-0	load daN/pc.	length L mm	width W mm	height H in intermediate pos. mm	d mm	e mm	inside thread	range of adjustment mm
			1500	115	115	60	50	24	M 16	8
			2500	150	150	63	60	23	M 18	10