

Leveling elements series, type BNSH

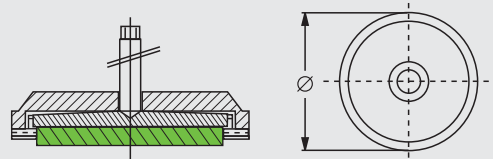
Range of application: BILZ leveling elements BNS are specially suited for the positioning of presses, automatic stamping machines automatic die-casting machines etc.

Examples: BNSH 120/50 means: equipped with type 50.

Application: Medium efficiency of isolation.

BNSH 120/32 means: equipped with type B32.

Application: For highly effective insulations. In particular used on upper floors.



type	BNSH 70/50	450	type	BNSH 70/32	250	height H mm	D = mm	range of adjustment mm	G
	BNSH 80/50	800		BNSH 80/32	500				
	BNSH 120/50	1.600		BNSH 120/32	1.000	54	133	20	M 10 x 1,25 x 100/125
	BNSH 160/50	3.500		BNSH 160/32	2.200	60	175	20	M 12 x 1,5 x 80/125/150
	BNSH 175/50	4.300		BNSH 175/32	2.700	65	200	20	M 16 x 1,5 x 100/150/200
	BNSH 200/50	6.500		BNSH 200/32	3.600	69	227	20	M 20 x 1,5 x 100/125/150/200
	BNSH 250/50	9.000		BNSH 250/32	4.800	69	270	20	M 20 x 1,5 x 100/125/150/200
									M 24 x 2,0 x 200/150
									M 30 x 2,0 x 150/200

Leveling Elements, Type Serie BNSHA

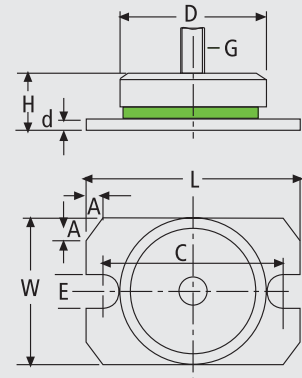
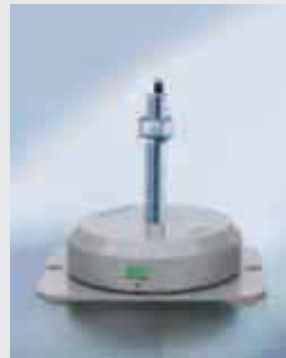
Range of application: BILZ leveling elements BNS are specially suited for the positioning of presses, automatic stamping machines automatic die-casting machines and for all machines which have to be mounted to the floor.

Examples: BNSHA 120/50 means: equipped with type B50.

Application: Medium efficiency of isolation.

BNSHA 120/32 means: equipped with type B32.

Application: For highly effective insulations. In particular used on upper floors.



	L	B	D	C	d	E	A	H	G
BNSHA 80	140	90	96	120	5	8	15	50	M 12 x 1,5 x 80/125/150
BNSHA 120	180	125	133	160	5	13	15	59	M 16 x 1,5 x 100/150/200
BNSHA 160	220	170	175	200	5	16	15	65	M 20 x 1,5 x 100/125/150/200
BNSHA 175	260	185	200	230	8	20	20	73	M 20 x 1,5 x 100/125/150/200
BNSHA 200	300	225	227	270	8	20	20	77	M 24 x 2,0 x 150/200
BNSHA 250	330	265	270	300	8	20	20	77	M 30 x 2,0 x 150/200

Range of adjustment and load capacity same as BNSH.

Leveling elements series of types BNV and BNR BNV (square)

Range of application: BILZ leveling elements BNV + BNR are reliable and economic elements preferably used for light to medium weight machines with respective mounting holes in the machine base.

Examples: BNV 110/4 = 4 means: equipped with type B 4!

Application: milling machines, drilling machines, general use!

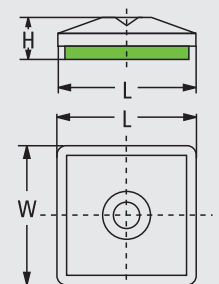
BNV 110/0 = 0 means: equipped with type B 0!

Application: lathes, machining centers etc.!

BNV 110/30-W = 30 W means: equipped with type B 30 W!

Application: soft material for passive isolation – grinders, testing equipment, measuring machines etc.!

Screws and nuts can be supplied upon request (page 15).

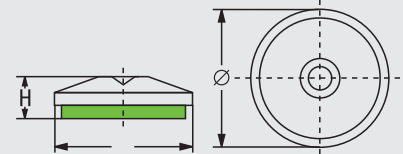


BNV (square)

type	BNV 50/4	load daN/pc.	150	type	BNV 50/0	load daN/pc.	200	type	BNV 50/30 W	load daN/pc.	65	L mm	60	W mm	60	H mm	22	mm	22	30 W	25
	BNV 80/4	450			BNV 80/0	550			BNV 80/30 W	160			85		85		24		24		27
	BNV 110/4	1000			BNV 110/0	1200			BNV 110/30 W	400			123		123		27		27		30
	BNV 115/4	1000			BNV 115/0	1200			BNV 115/30 W	400			163		88		29		29		32
	BNV 150/4	1800			BNV 150/0	2250			BNV 150/30 W	700			147		147		32		32		35
	BNV 200/4	3000			BNV 200/0	4000			BNV 200/30 W	1400			265		165		35		35		38

BNR (round)

Screws and nuts can be supplied upon request (page 15).



type	BNR 50/4	load daN/pc.	150	type	BNR 50/0	load daN/pc.	150	type	BNR 50/30 W	load daN/pc.	55	Ø mm	60	H mm	21	mm	21	mm	21	30 W	24
	BNR 80/4	400			BNR 80/0	500			BNR 80/30 W	140			78		21		21		21		24
	BNR 110/4	800			BNR 110/0	1000			BNR 110/30 W	300			121		26		26		26		29
	BNR 150/4	1500			BNR 150/0	1800			BNR 150/30 W	450			162		30		30		30		33
	BNR 200/4	2500			BNR 200/0	3500			BNR 200/30 W	1000			213		30		30		30		33

Leveling elements series, types BNVS and BNRS with leveling screws (flexibly connected)

Range of application:

Types **BNVS + BNRS** are used in cases where a firm connection of the element to the machine is desirable! Angle differences are equalized by means of the movable leveling screw.

Examples:

BNVS 110/4 = 4 means: equipped with type B 4!

Application: milling machines, drilling machines!

BNVS 110/0 = 0 means: equipped with type B 0!

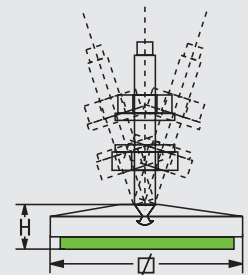
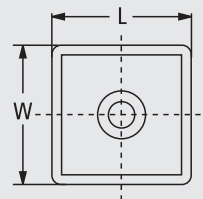
Application: lathes, machining centers etc.!

BNVS 110/30-W = 30 W means: equipped with type B 30 W!

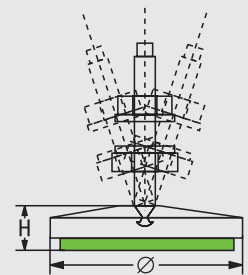
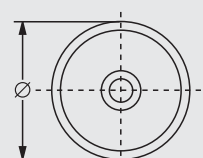
Application: suited for all machines requiring no vibration insulation, anti-slip only.

Important: When ordering please specify the desired size of leveling screw. We stock sizes from M 10 to M 24, in lengths from 70 to 300 mm (page 15).

BNVS (square)



BNRS (round)



BNVS (square)

type	BNVS 50/4	load daN/pc.	150	type	BNVS 50/0	load daN/pc.	200	type	BNVS 50/30 W	load daN/pc.	65	W mm	60	H mm	22	mm	22	mm	22	30 W	25
	BNVS 80/4	450			BNVS 80/0	550			BNVS 80/30 W	160			85		24		24		24		27
	BNVS 110/4	1000			BNVS 110/0	1200			BNVS 110/30 W	400			123		27		27		27		30
	BNVS 150/4	1800			BNVS 150/0	2250			BNVS 150/30 W	700			147		32		32		32		35
	BNVS 200/4	3000			BNVS 200/0	4000			BNVS 200/30 W	1400			260		35		35		35		38

BNRS (round)

type	BNRS 50/4	load daN/pc.	100	type	BNRS 50/0	load daN/pc.	150	type	BNRS 50/30 W	load daN/pc.	55	Ø mm	60	H mm	21	mm	21	mm	21	30 W	24
	BNRS 70/4	400			BNRS 70/0	450			BNRS 70/30 W	140			78		28		28		28		31
	BNRS 110/4	800			BNRS 110/0	1000			BNRS 110/30 W	300			121		28		28		28		31
	BNRS 150/4	1500			BNRS 150/0	1800			BNRS 150/30 W	450			162		30		30		30		33
	BNRS 200/4	2500			BNRS 200/0	3500			BNRS 200/30 W	1000			213		30		30		30		33

for vibration and structure-borne noise isolation

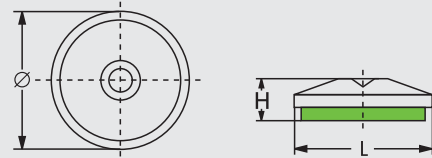


Leveling Elements, Type Series **BNRV** and **BNRSV** in stainless steel

Field of application:

For machines of the food, beverages and tobacco industries.
For machines of the packaging, chemistry and pharmaceutic industries.
Screws and nuts can be supplied on request.

Type series **BNRV** without leveling screw



type	BNRV 50/4	load daN/pc.	150	type	BNRV 50/30-W	load daN/pc.	50	type	BNRV 50/BR 7	load daN/pc.	200	mm	54	mm	23	mm	26	mm	15
	BNRV 70/4	400			BNRV 70/30-W	150			BNRV 70/BR 7	600	Ø	76	H = type 4	25	H = type 30-W	28	H = type BR 7	17	
	BNRV 110/4	800			BNRV 110/30-W	400			BNRV 110/BR 7	1200	116	27,5		30,5		19,5			
	BNRV 150/4	1500			BNRV 150/30-W	800			BNRV 150/BR 7	2500	156	29,5		32,5		21,5			

Type **BNRSV** with leveling screw

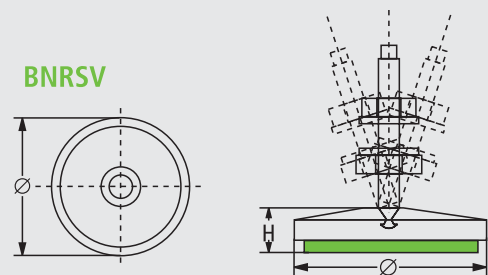
(flexibly connected)

in stainless steel

Examples:

BNRV 110/4 e.g. **BNRSV 110/4** = 4 meaning: equipped with medium hard insulating panel. Provides good vibration and structure-borne noise insulation.

BNRV 110/30-W e.g. **BNRSV 110/30-W** = 30-W meaning: equipped with soft insulating panel. Provides high-quality vibration and structure-borne noise insulation.



BNRV 110/BR 7 e.g. **BNRSV 110/BR 7** = BR 7 stands for: equipped with anti-slip panel. No vibration insulation!

type	BNRSV 50/4	load daN/pc.	100	type	BNRSV 50/30-W	load daN/pc.	50	type	BNRSV 50/BR 7	load daN/pc.	200	leveling screw	mm	M 10 x 70/100/200
	BNRSV 70/4	400			BNRSV 70/30-W	150			BNRSV 70/BR 7	600	incl. 2 nuts		M 12 x 100/150/200	
	BNRSV 110/4	800			BNRSV 110/30-W	400			BNRSV 110/BR 7	1200	+ 2 washers (VA)		M 16 x 100/150/200	
	BNRSV 150/4	1500			BNRSV 150/30-W	800			BNRSV 150/BR 7	2500			M 20 x 100/150/200	

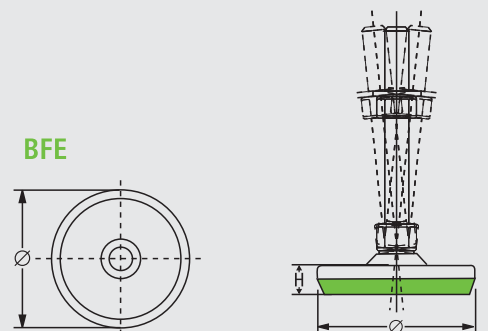
Type **BFE** with leveling screw

(flexibly connected)

in stainless steel

Field of application:

Low cost stainless steel elements for the food, pharmaceutic, the packing and the chemistry industry.



type	BFE 50	mm	50	H 1	mm	14	load daN/pc.	300	leveling screw	mm	M 8 / 10 x 50/80/100/120/150/180/200
	BFE 80	80			17		850	incl. 2 nuts		M 12 x 50/80/100/120/150/180/200	
	BFE 100	100			19		2000	+ 2 washers (VA)		M 16 x 50/80/100/120/150/180/200/250/300	
	BFE 125	125			19		3000			M 20 x 50/80/100/120/150/180/200/250/300	
										M 24 x 50/80/100/120/150/180/200/250/300	
										M 30 x 50/80/100/120/150/180/200/250/300	

(All screws are suitable for all element sizes)